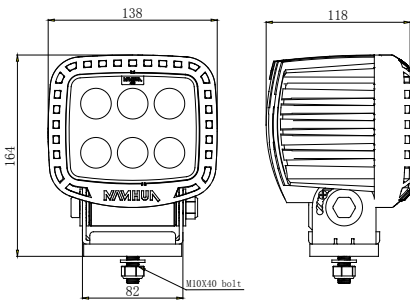


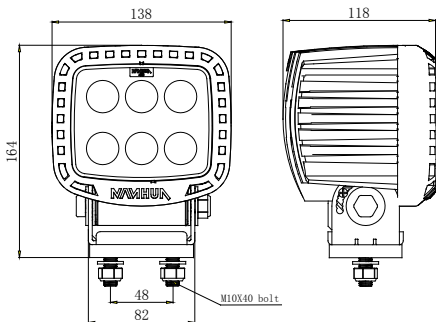


Mounting dimension (Unit : mm)

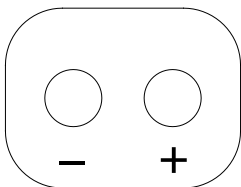
Type 1



Type 2



Wiring diagram



DC18V-DC32V

Application



Application

LED flood light is applied for the lighting system of various lifting machinery (tyred gantry crane, crawler crane, travelling crane, etc), port machinery (gantry crane, bridge crane, reachstaker, etc), metallurge, chemical industries, mine and marine vessel, etc.

Major functions and features

- High power LED light source, it features high luminance, low power consumption and long lifetime.
- Aluminum body features excellent heat emission, anti oxidation ability for long term stable operation.
- Sealed structure, excellent waterproof and vibration resistance capacity
- 60°~140° mounting angle and built-in Deutsch socket to make the cable connection convenient

Specification

Operating voltage	DC18V-DC32V	LED lifetime	≥50,0 00hrs
Power consumption	48W	CCT	5500K-6000K (Cold White) <2700K(Warm White)
Operating Temperature	-40°C ~ +85°C	IP Class	IP68
Humidity	10% ~ 95% (non coagulation)	Weight	2.5kg
Material	Lens : PC Base : Aluminum		

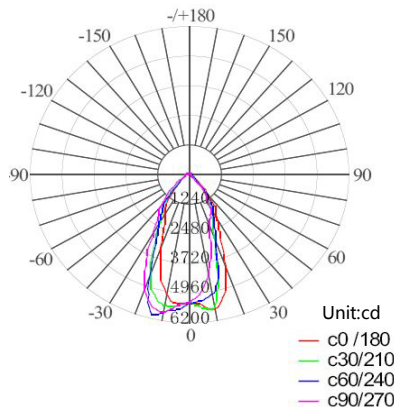
Installation and operation

- To check the power supply voltage is same as the nominal voltage
- Fix the lamps to the mounting surface which has enough mechanical strengthen with M10 screws. The mounting angle of the bracket is adjustable within 60°~140°
- With built-in Deutsch socket, 1 is positive and 2 is negative
- The lamp is lit once powered on.

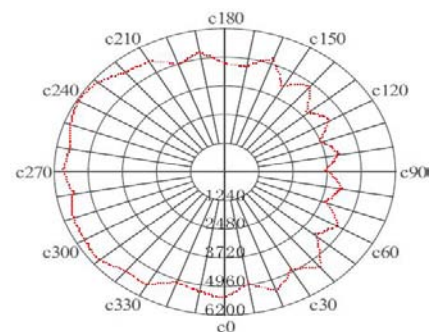
Note

- Do not reversely connect the power supply
- Please external connect the fuse of rated current 5A to protect the circuit
- Do not use it until the bracket and lamps are screwed tightly
- It is normal that the lamp has the temperature rise.

Luminous Intensity Distribution Curve



Max Candela Distribution Curve in Taper Surface



House side Max Candela at : r=13.5° Road side